

**Armchair**  
Manufacturer  
Design:

**Modell 1600**  
Girsberger  
Girsberger in-house design 1961



## Frame

---

Chromium-plated flat steel  
Universal plastic glides  
Optional felt glides

## Seat and back

---

Upholstered cushion on elastic belts

## Covers

---

Different qualities of fabric and leather from the Girsberger collection.

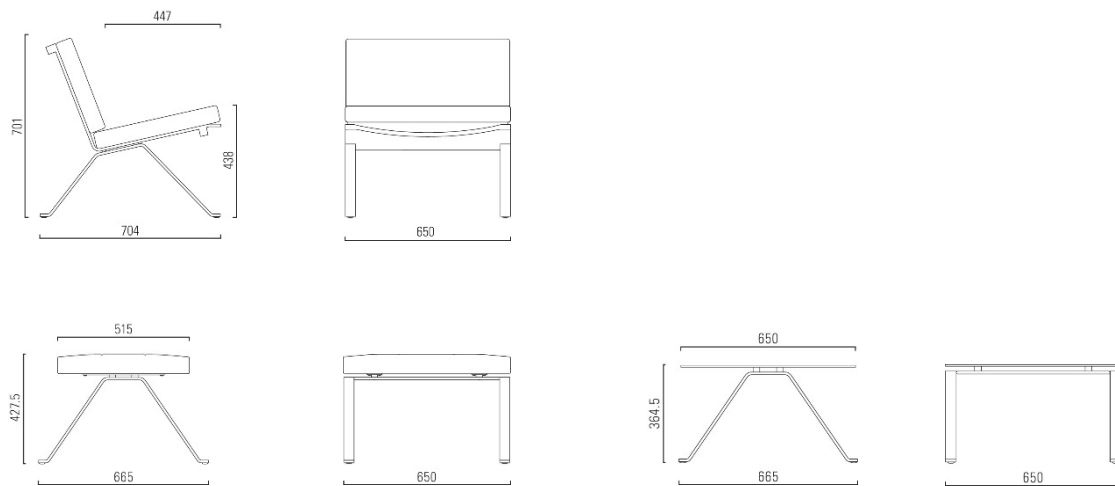
## Versions and accessories

---

Stool  
Side tables, table top glass or solid core black/white

## Dimensions

---



Details subject to alteration.

## General information

---

Certified according to DIN EN ISO 9001 and environmental management according to DIN EN ISO 14001. All materials used can be separated according to type and recycled



---

Girsberger AG, Bützberg, CH  
Girsberger GmbH, Wien, A  
Girsberger France, Paris, F  
Girsberger GmbH, Endingen, D  
Girsberger Benelux BV, Amsterdam, NL  
Tuna Girsberger Tic. AS, Silivri, TR

mail@girsberger.com  
www.girsberger.com