

**Swivel chair range**      **Diagon**  
Manufacturer              Girsberger  
Design                        Burkhard Vogtherr



## Characteristics

---

The Diagon swivel chair has a backrest support onto which the backrest with two pendulum joints is flexibly mounted. Thanks to the pendulum joints, which maximize the opening angle of the seat and back, it moves in perfect harmony with the body when the user leans back.

The Diagon cantilever chair is an ideal matching visitor's and conference chair.

## Seat

---

Synchronous mechanism

Seat height 400 – 550 mm

Seat width 479 / 490 mm

Seat depth 390 – 490 (standard back) / 410 – 480 mm (medium and high back)

Seat depth adjustment 100 / 70 mm

Seat tilt 0° or -3° engageable

## Backerest

---

Backrest with mesh heights standard, medium, high, high with headrest

Backrest with woven bands heights standard, medium, high, high with headrest

Upholstered backrest fabric heights standard, medium, high, high with headrest

Upholstered backrest leather heights standard, medium, high, high with headrest

## Armrests

---

Aluminium ring-shaped fixed, top leather, adjustable width 50 mm

2D ring-shaped, plastic, adjustable height 100 mm | width 50 mm

2D-T-shaped polyurethane, adjustable height 100 mm | width 50 mm

2D-T-shaped upholstered, adjustable height 100 mm | width 50 mm

3D-T-shaped polyurethane, adjustable height 100 mm | width 50 mm | depth 60 mm

3D-T-shaped upholstered, adjustable height 100 mm | width 50 mm | depth 60 mm

4D-T-shaped polyurethane, adjustable height 100 mm | width 50 mm | angle +/- 30° | depth 60 mm

4D-T-shaped upholstered, adjustable height 100 mm | width 50 mm | angle +/- 30° | depth 60 mm

## Base

---

Base plastic black

Base aluminium black-coated

Base aluminium polished

Castors for hard or soft floors

## Covers

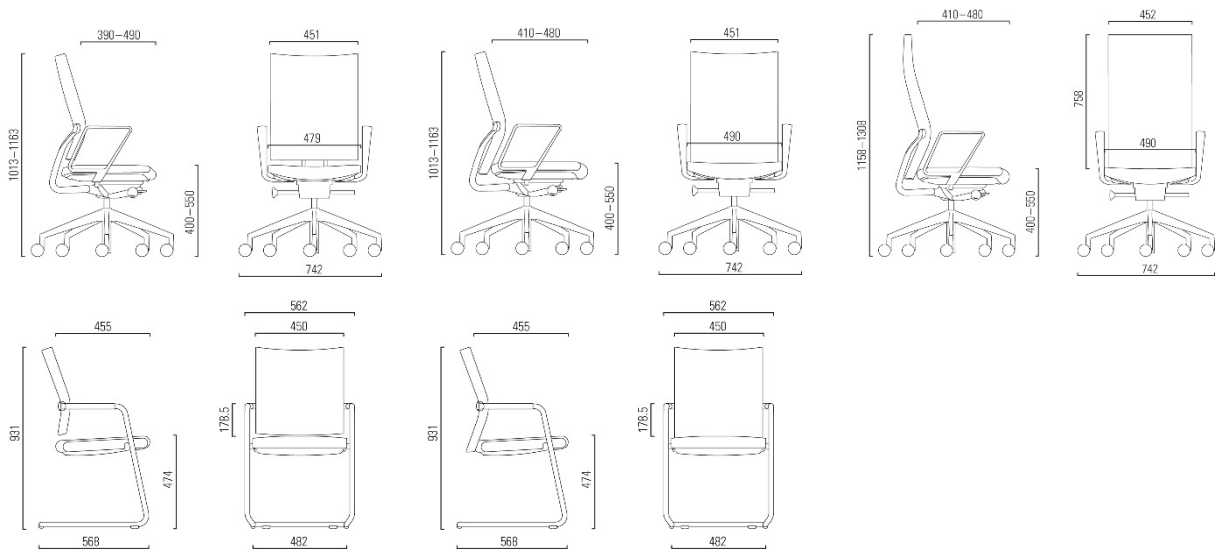
---

Different qualities of fabric and leather from the Girsberger collection.

## Versions and accessories

Black coat hanger  
Headrest height-adjustable  
Lumbar support height-adjustable  
Version with foot ring (standard back)  
Ring castors  
Hooded castors

## Measurements



Swivel chair seat height measurements according to EN 1335. Details subject to alteration.

## Safety and stress test



## General information

Certified according to DIN EN ISO 9001 and environmental management according to DIN EN ISO 14001. All materials used can be separated according to type and recycled. Further information and downloads concerning this product can be found under: [www.girsberger.com/diagon](http://www.girsberger.com/diagon)



Girsberger AG, Bützberg, CH  
Girsberger GmbH, Wien, A  
Girsberger France, Paris, F  
Girsberger GmbH, Endingen, D  
Girsberger Benelux BV, Amsterdam, NL  
Tuna Girsberger Tic. AS, Silivri, TR

[mail@girsberger.com](mailto:mail@girsberger.com)  
[www.girsberger.com](http://www.girsberger.com)